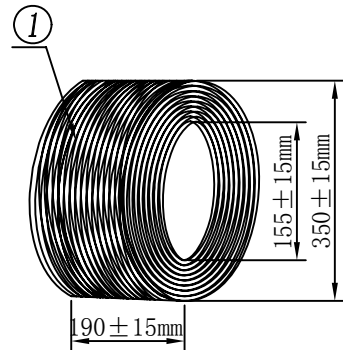
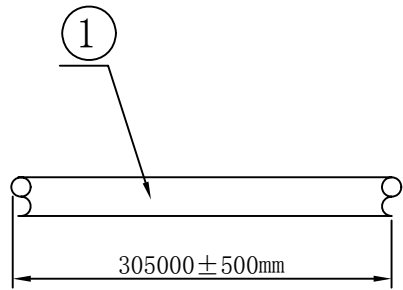
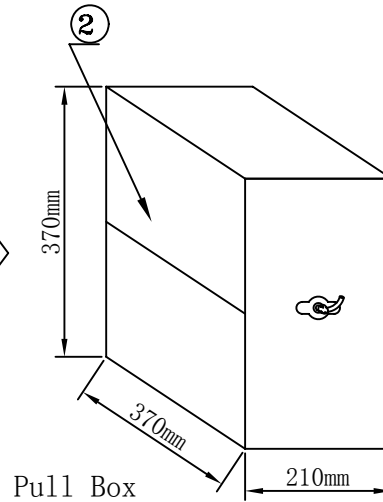


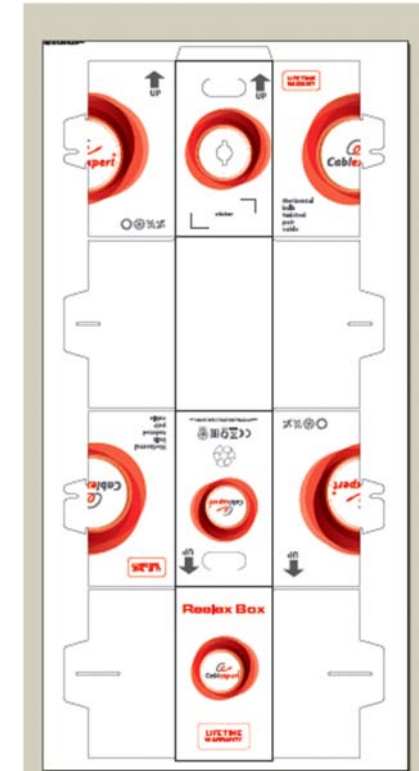
REVISION RECORD MODIFICATIONS	DATE	REV.
NEW	2016/06/12	A/0



305M

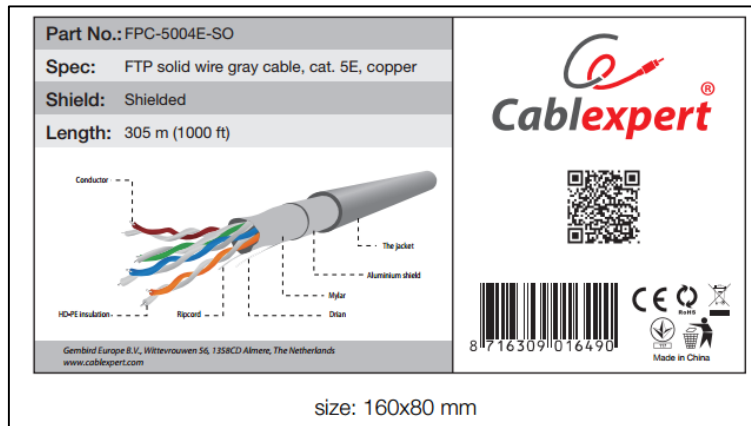


Pull Box



NOTES:

1. PACKING: ROLL/EASY-PULL BOX; NET WEIGHT:9.5KGS
- 2.PRINT WORD: FTP shielded twisted 4 pairs enhanced category 5E cable (solid) Cablexpert FPC-5004E-S0 P023331 001M, 002M.....305M(PO Number will be varied as per different PO Number)



MATERIAL LIST:

					DRAW NO.		PRODUCT NAME	Cat. 5e FTP Cable 305M		
③	LABEL	SIZE: 160*80mm			CUSTOMER		MAPE	tolerance		
②	PULL BOX	SIZE: 370*370*210mm			ITEM NO.	FPC-5004E-S0		X.	±1.00	
①	CABLE	Cat. 5e FTP (1/0.48BC*4P) OD:5.6±0.2mm JACKET:PVC/GREY			APPROVED BY	CHECK BY	DRAWN BY	UNTT	MM	
NO.	PARTS NAME	SPECIFICATION DESCRIPTION			QT' Y	REMARK		East LI	Page	1/1